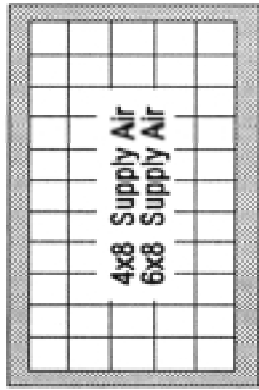
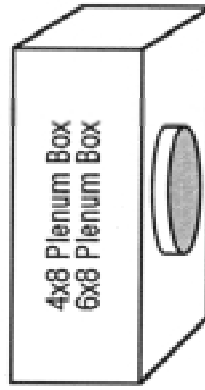


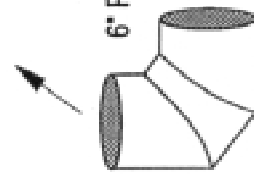
Grilles - Aluminum



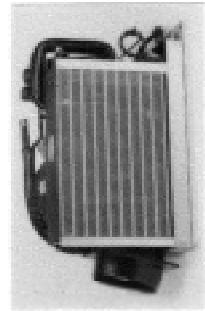
For the classic look, add elegance to your living space with handsome, beautifully-crafted wood-framed grilles in teak.



(Note: Plenum Box is required for all Rectangular grilles)



Washable return air filter



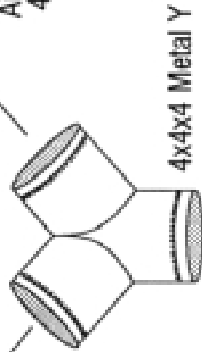
Return Air

Left-side or optional Right-side Blower discharge.

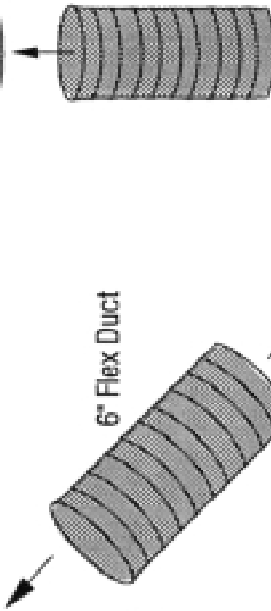
Various ducting adaptations may be used. Below is simply a general guide for your consideration.



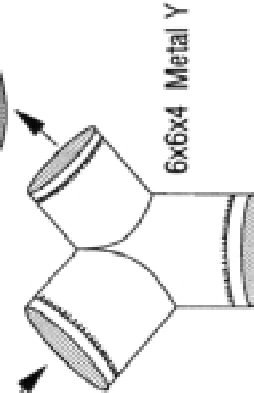
Air Supply 4" Round



4x4x4 Metal Y



4" Flex Duct

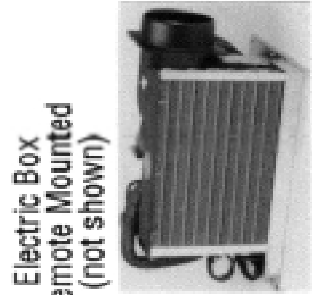


6x6x4 Metal Y

6" Round Air Supply

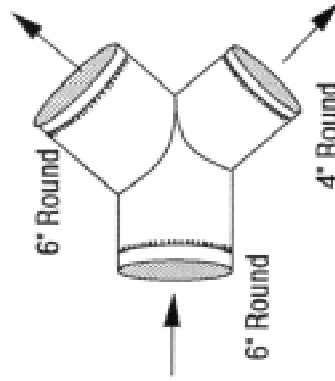


Top Discharge Model



Electric Box Remote Mounted (not shown)

Air Supply



Side Discharge Model is often used with the Unit under a bunk or dinette seat.

FIGURE 1
TYPICAL SUPPLY AND RETURN DUCT ROUTING

Choice of Styles

In most cases, the grilles and control panel are all that you see of your installed air conditioner. That's why we offer a variety of grilles to blend with your interior

For the "hi-tech" look, round plastic supply grilles are available in brown, tan, white and black.

FIGURE 2
OPERATIONAL
DIAGRAM

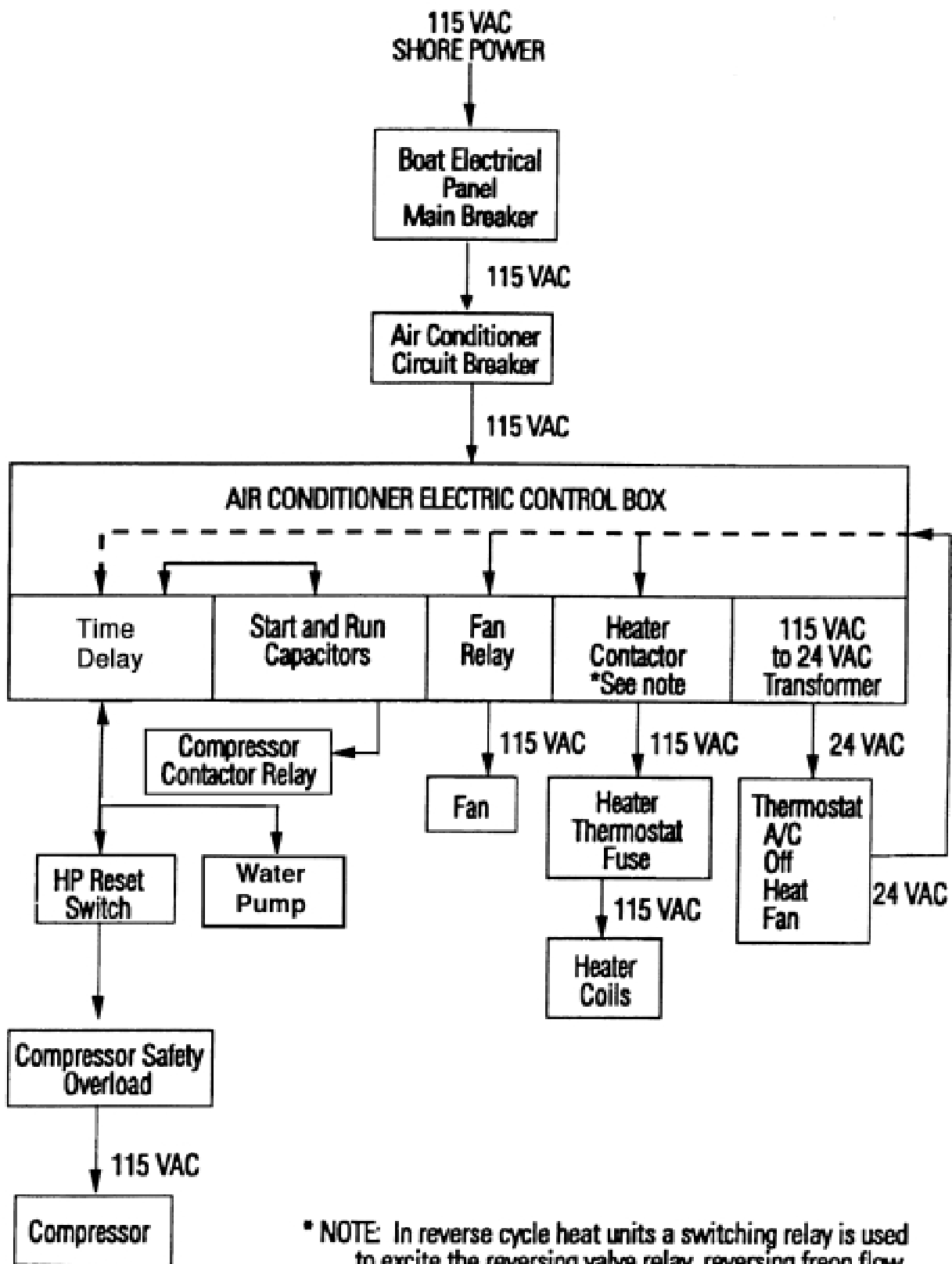


FIGURE 3
TYPICAL
INSTALLATION

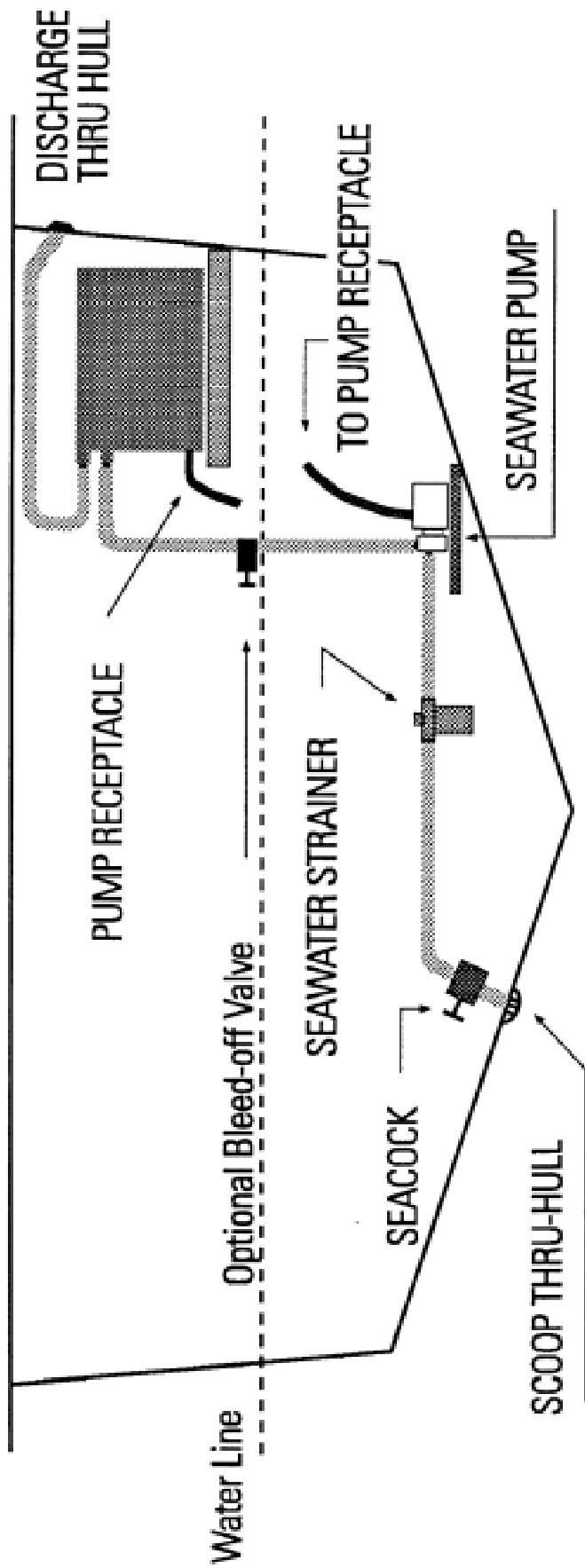


FIGURE 4a

**WIRING DIAGRAM
COOL ONLY
(All Models)**

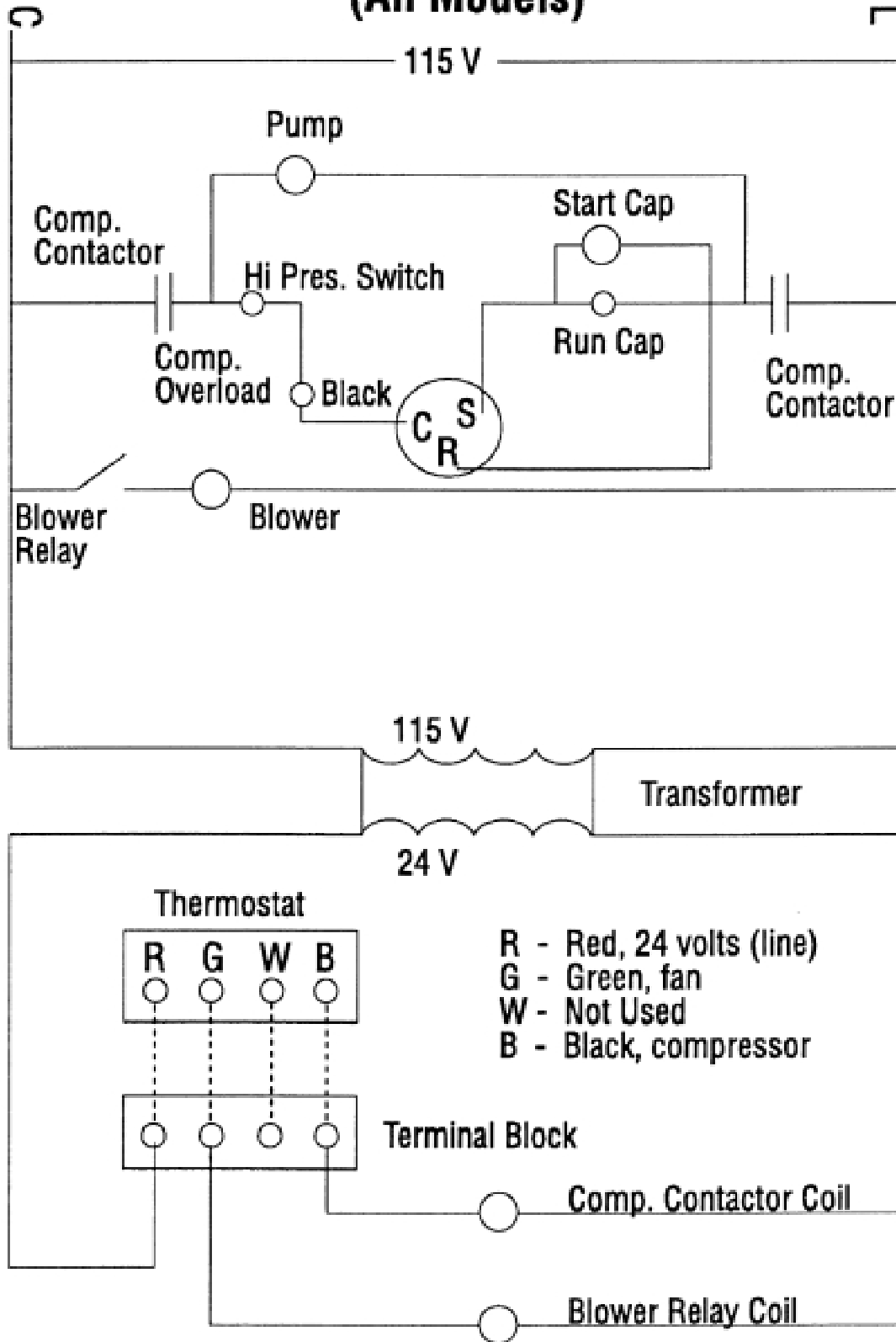


FIGURE 4b

**WIRING DIAGRAM
ELECTRIC HEAT & COOL
(Models M-6, M-9, and M-12 only)**

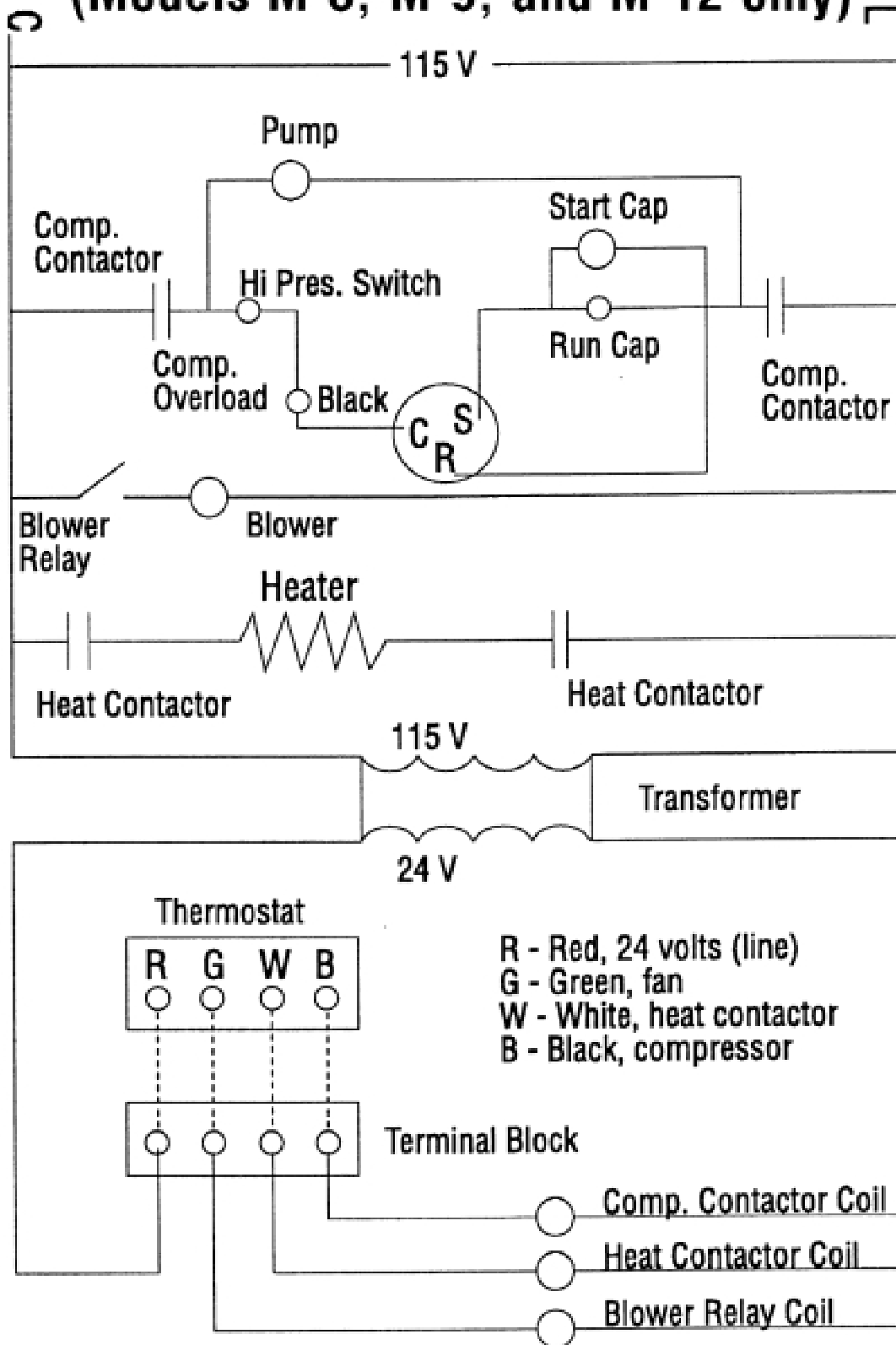


FIGURE 4c

**WIRING DIAGRAM
REVERSE CYCLE HEAT & COOL
(All Models)**

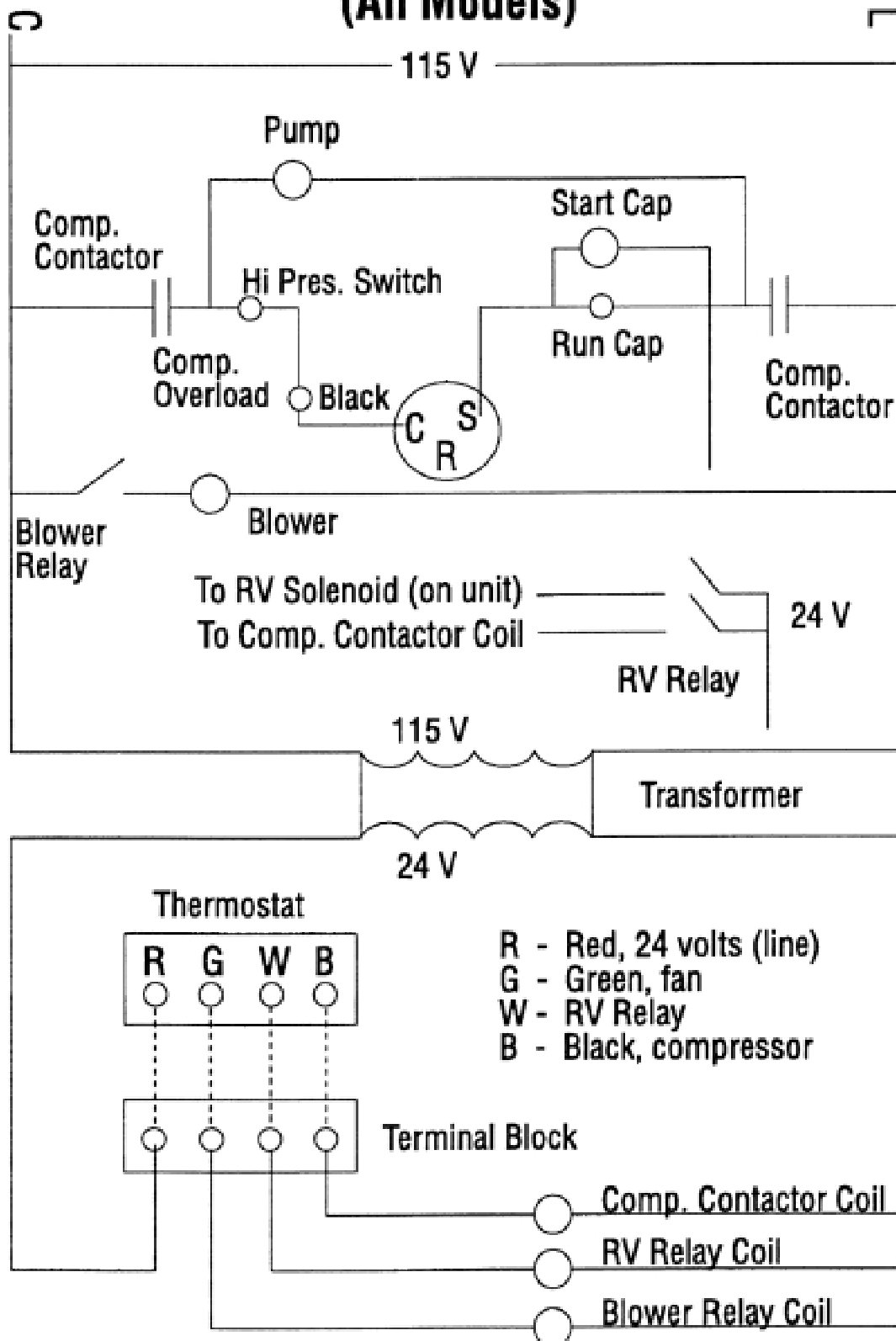


FIGURE 5
BLEED OFF
VALVE DIAGRAM

